

Installation guide

1. Set out tile or paver centre-lines on the deck. This should be used in both north/south and east/west directions, tiles will start on either side of the centre line or with the centre lines running down the centre of the tiles. This is a critical step as a full tile on one side of the area and a slither on the other is difficult to support on the Deck Jaks.

2. Start tiling from the centre cross out in all directions. You will need to level off a door threshold for a datum point to obtain a starting height.

3. Sit a tile or concrete paver on the first four Deck Jaks. Adjust the height of each Deck Jak to make the tile level in both directions, and place a fifth Deck Jak under the tile or paver if required, depending on the tile or paver size. (Lugs can be removed if required.)

4. Add another tile to the available seating positions on the previously laid Deck Jaks and level with additional Decks Jaks.

5. Keep repeating the process until only the perimeter edges of the deck are left. Any further Deck Jaks may require the spacer lugs to be cut or ground off prior to placing under the remaining edge tiles.

6. The last tile or paver is cut 6mm smaller than the distance from the wall to the existing Deck Jak spacer.

7. Two 6mm holes, 15mm deep are drilled into the wall side edge/s of the tile substrate or paver approx 50mm in from each end. Insert a wall spacer plug into each of the holes. This will hold the tile or pavers off the wall to allow water to run off and to also lock the tiles together. The locking tiles should be a firm fit.

8. If an odd shape or particularly small tile is required, and a Deck Jak cannot be installed due lack of space, the shaped tile will need to be adhered to a layer of substrate that incorporates the previous tile as well.

Specifications

Deck Jak base diameter 105mm

Minimum height 65mm

Maximum height 105mm

Spacer diameter 110mm

Spacer height 20mm & 50mm available

Base Plate diameter 200mm (Additional 2° fall allowance built in)

Lug width 8mm Wide fin (use only with compressed sheet with tile overlay)

Lug width 3mm narrow fin (standard)

Load testing maximum weights

Lugs maximum weight 1055kg

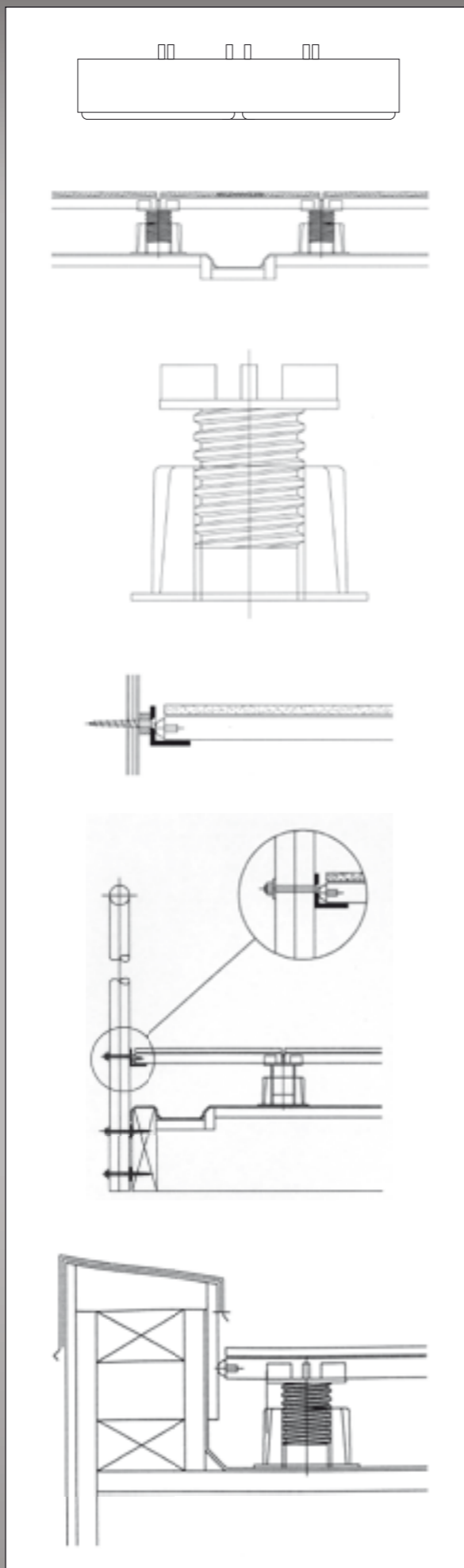
Screw thread 3238kg

330 x 330 ceramic tile on 18mm compressed sheet 867kg

Chair leg on corner of ceramic tile and compressed sheet 511kg shear

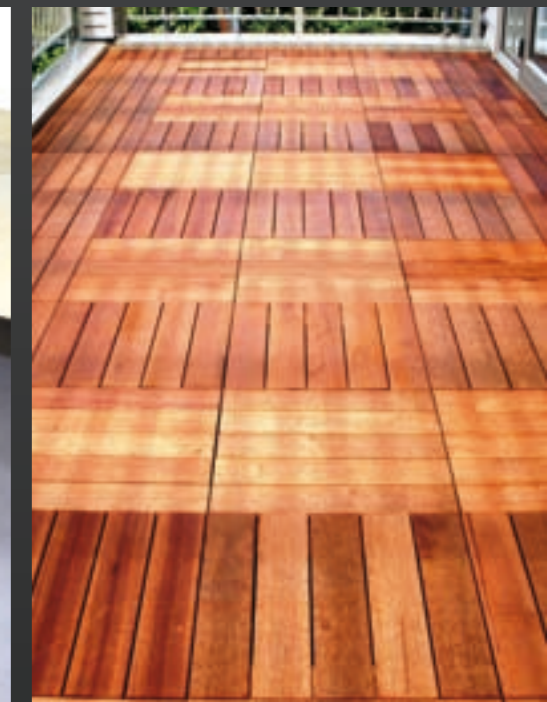
300 x 300 concrete paver (green) 596kg

Chair leg on 300 x 300 paver (green) 410kg shear



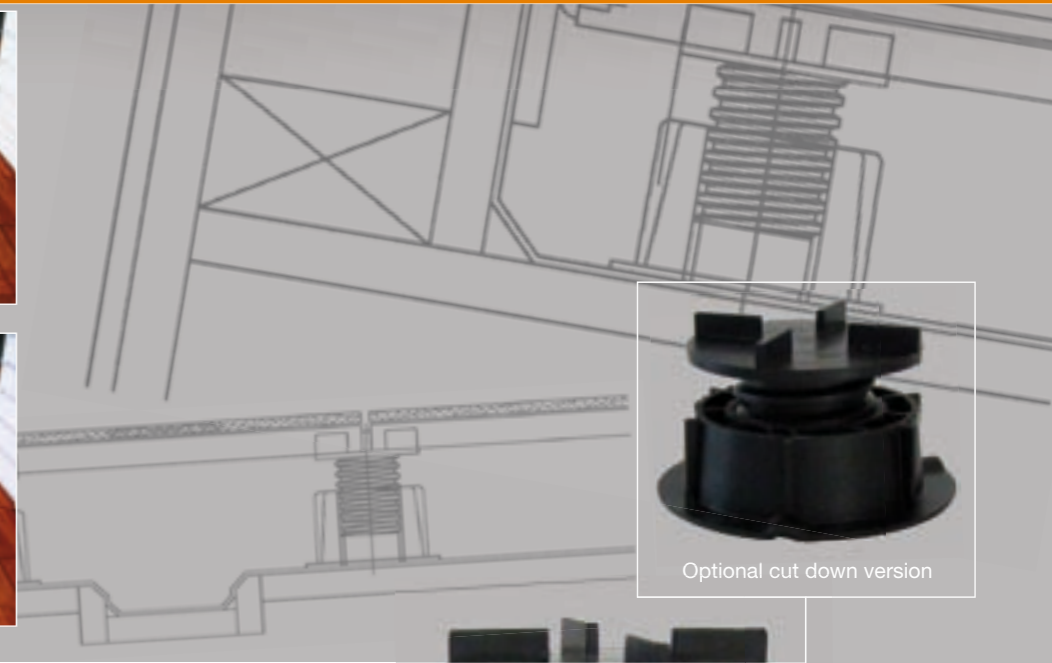
Deck Jak™ Systems

(NZ PAT APP 535278)



For further information call Deck Jak Systems t/a Urban Building Products Ltd

Ph: 09 414 5567 • Fax: 09 414 5569 • Email: info@deckjak.co.nz • Website: www.deckjak.co.nz



Deck Jaks are a proprietary tile support designed to meet the requirements of the E2/AS1 Third Edition in relation to membrane decks.

The Deck Jak performs the following functions:

1. Allows tiles, pavers, natural stone or timber panels to be used on top of waterproofing membranes.
2. Provides access for maintenance or cleaning of waterproofing membranes.
3. Provides level entry access.
4. Is adjustable for levelling of decks.



The benefits:

1. No screeding is necessary on top of membranes.
2. No gluing is necessary.
3. Faster to lay.
4. Can be laid during wet weather.
5. Allows level entry.
6. NZ Made, ensuring no supply problems.
7. The most cost effective solution.
8. Fully Recyclable.



An Acceptable Solution

The introduction of the building code E2/AS1 Third Edition requires, as an acceptable solution, that a cavity be installed between deck waterproofing membranes and trafficable surfaces.

This can now be easily achieved with Adjustable Deck Jaks.

Deck Jaks are made from a black UV resistant polypropylene and have been designed to support either tiles, pavers, natural stone or timber panels. Deck Jaks comply with the requirements of the E2/AS1 Third Edition and B2.31c durability requirements.

1. Deck Jaks are 105mm in diameter and adjustable from 65mm up to 105mm. Further adjustment can be achieved using any number of stackable 20mm or 50mm spacers under the Deck Jak. (Deck Jaks can be reduced to custom sizes by special request, minimum 25mm)

2. Adjustment of the height is made by a simple screw action, each quarter turn is equal to 2.5mm, higher or lower.
3. The spacer lugs on the top of the Jaks space the tiles/pavers apart to allow water to disperse quickly off the surface and also allows air to ventilate under the tiles.
4. With adjustable Deck Jaks level entry decks can be constructed and decks can now be laid level.
5. Access to the waterproofing membrane is made by simply removing one or more tiles. This makes washing and maintenance a breeze.
6. Ceramic tiles require gluing to 18mm compressed sheet panels prior to installation.
7. In a commercial application, services can easily be run under the tiled surface.

Quantum

Multiply the number of tiles by 1.25. This is a close guide depending on the shape of your deck. When concrete tiles are being used the multiplication is by 2.25. This is because a Jak will be needed under the centre of the paver for support. If the deck has an across fall of further than 2m, additional Jak spacer rings will be needed. We can help you estimate your requirements, please contact us for help.

Deck Jaks are installed under each corner of every tile or paving slab. In cases with tiles or paving slabs exceeding 450mm square Deck Jaks would be required under the centre of each tile.

Deck Jaks MUST NOT be attached to the membrane, this may damage the membrane and is not required.

